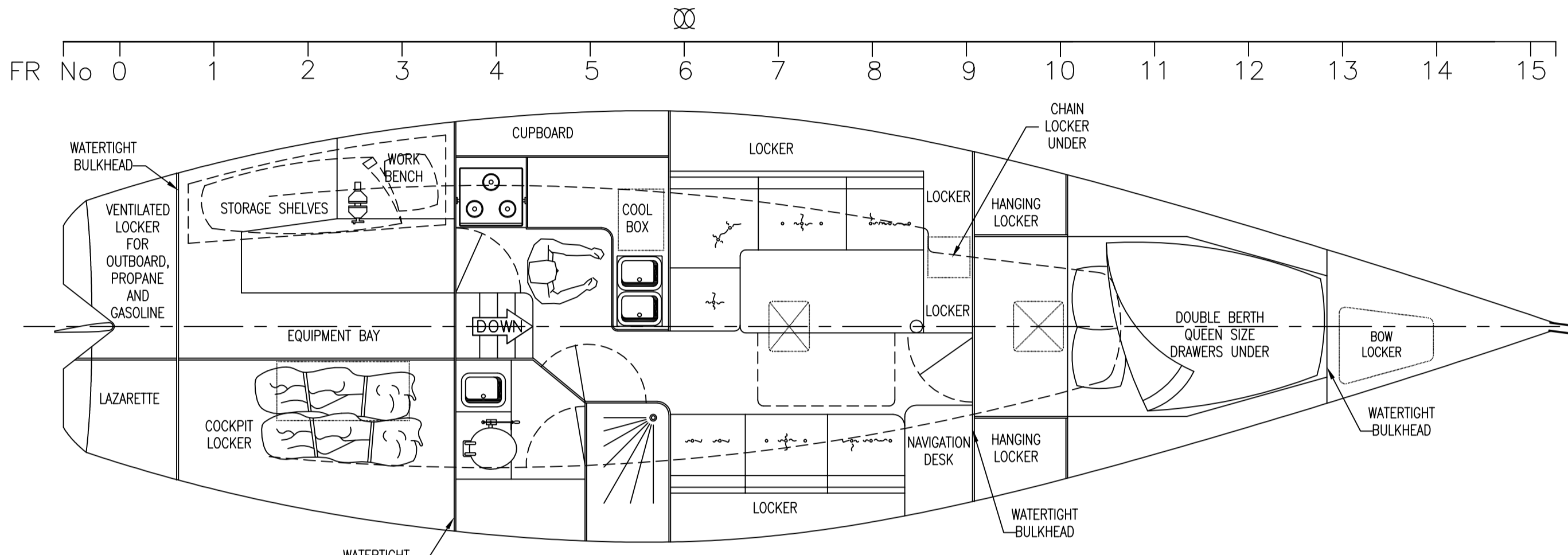
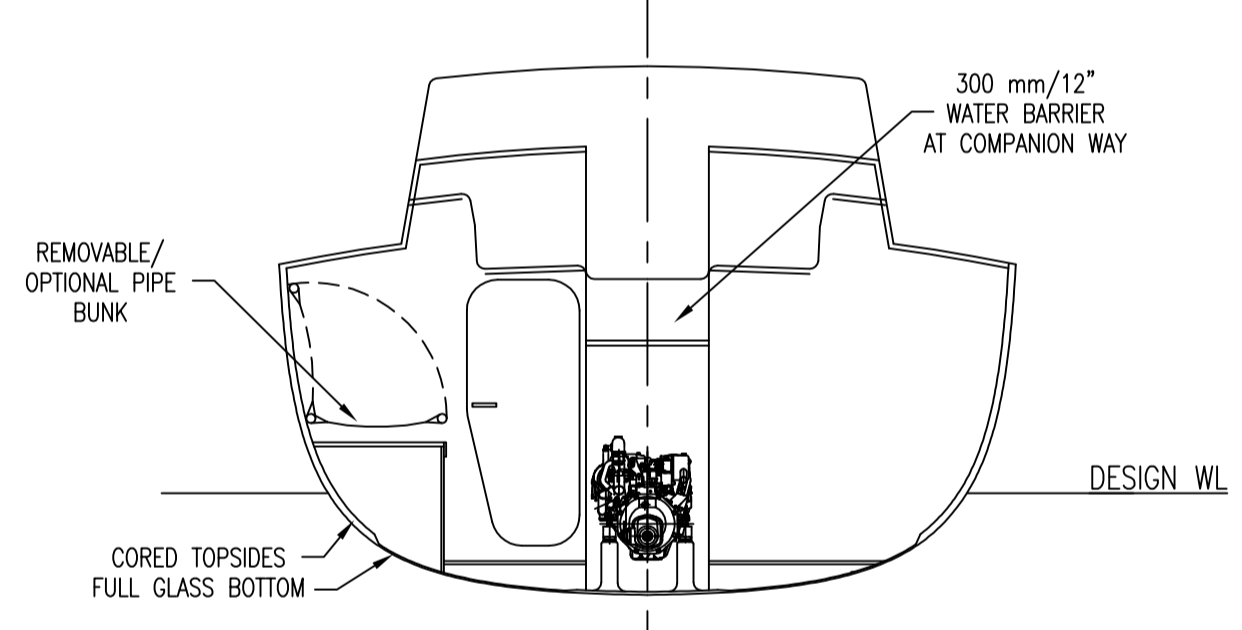
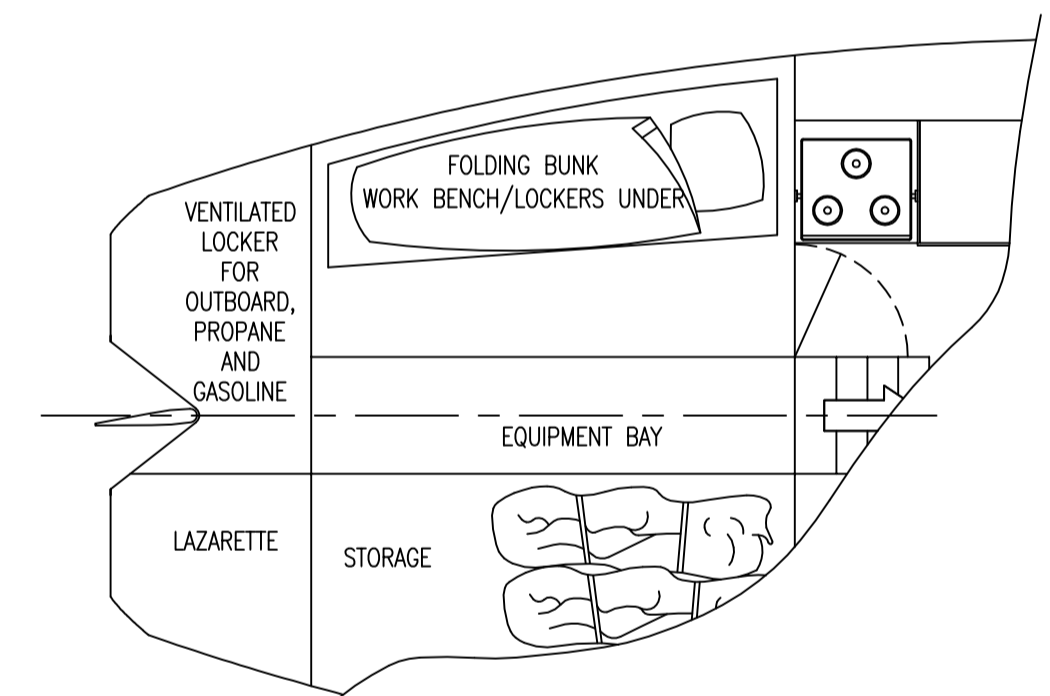


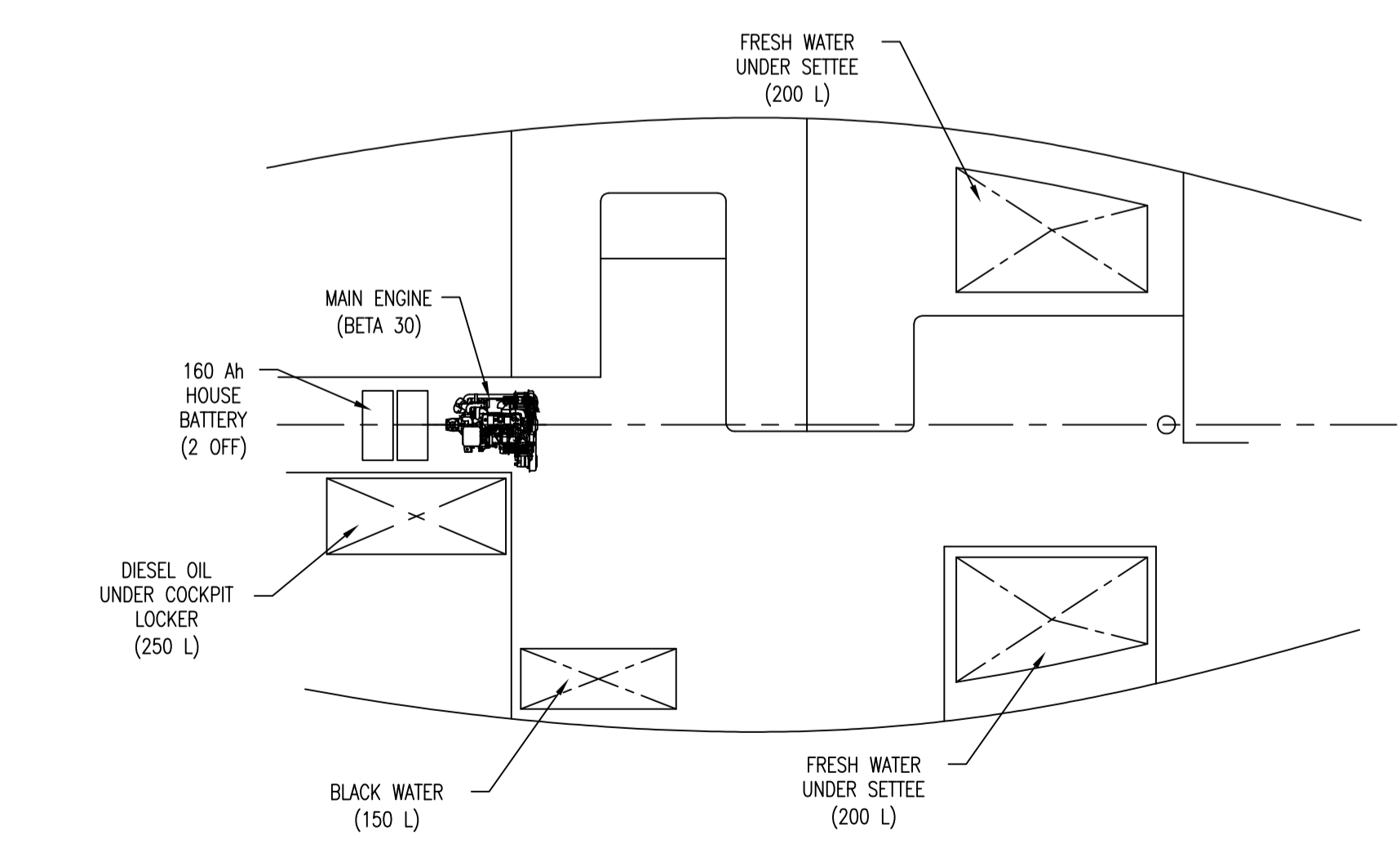
PLAN AT MAIN DECK



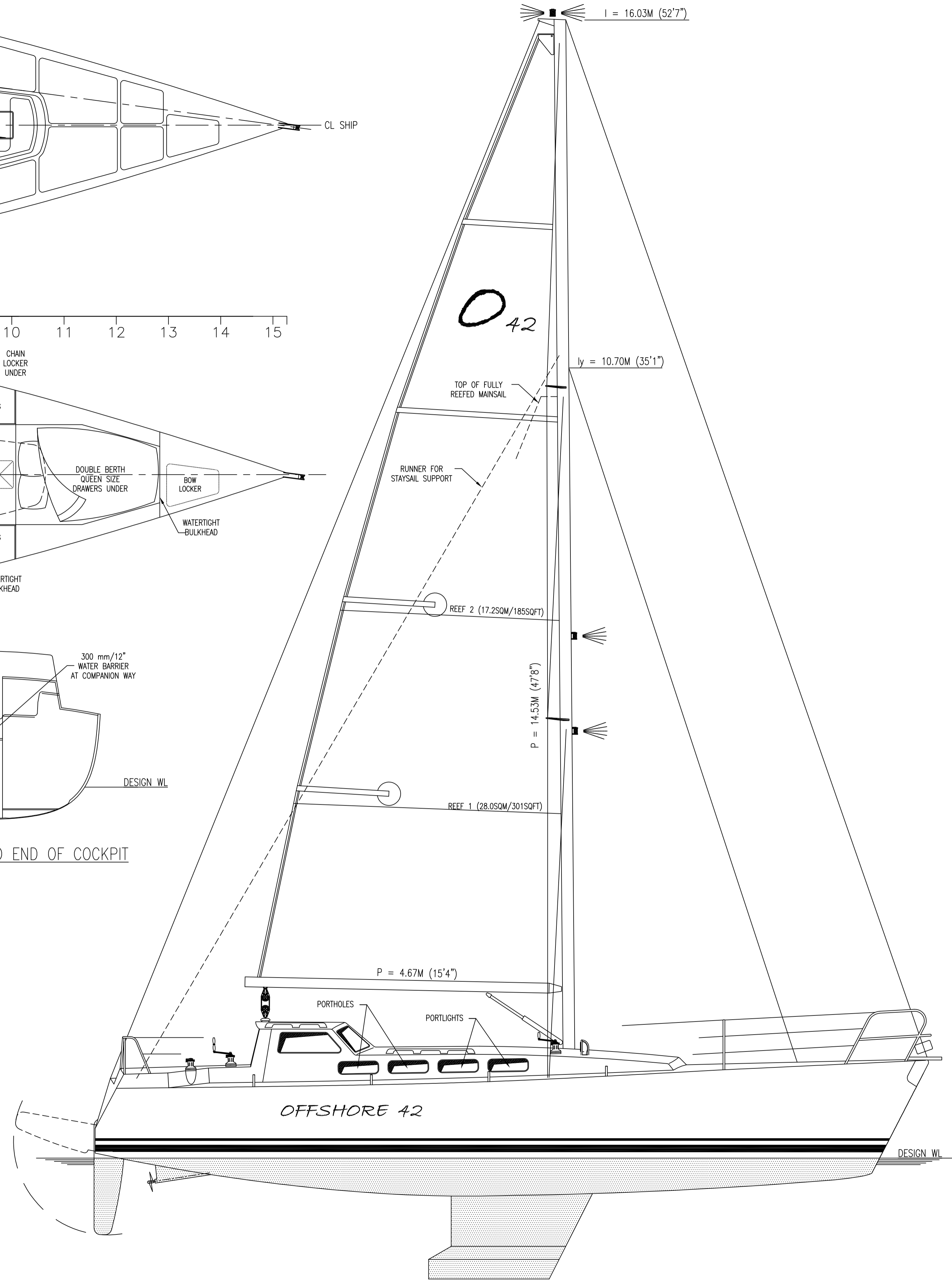
PLAN AT LOWER DECK



SECTION THROUGH FWD END OF COCKPIT



PLAN UNDER LOWER DECK



PROFILE

REFERENCE PLANS:		
No.	Dwg No.	DESCRIPTION

GENERAL NOTES:
1. ALL DIMENSIONS ARE IN MILLIMETERS UNLESS NOTED OTHERWISE.

PARTICULARS	
LENGTH OVERALL	13.76M (45'1")
LENGTH HULL	12.72M (41'9")
BEAM OVERALL	3.67M (12'0")
DEPTH MOULDED AT	2.64M (8'8")
DESIGN DRAFT	1.82M (6'0")
COMPLEMENT	
VOYAGE CLASS	OFFSHORE, CAT. 0
DISPLACEMENT	8.0MT (17,600LBS)
PAYLOAD	2.0MT (4,400LBS)
MAINSAIL	39.9SQM (429.5SQFT)
105% HEADSAIL	42.9SQM (461.8SQFT)
TOTAL UPWIND	82.8SQM (923.5SQFT)
STAYSAIL	11.6SQM (124.9SQFT)
CODE 0	72.0SQM (775.0SQFT)

Rev	Date	By	Remarks

THIS DRAWING, DESIGN CONCEPT, AND SPECIFICATIONS ARE THE PROPERTY OF **BAGHEERA-SAILING** AND SHALL NOT BE COPIED IN ANY MANNER, USED FOR MANUFACTURE, SOLD, TRANSFERRED, COMMUNICATED TO A THIRD PARTY, OR USED FOR ANY PURPOSE OTHER THAN THAT FOR WHICH IT IS SUPPLIED, WITHOUT THE EXPRESS WRITTEN CONSENT OF BAGHEERA-SAILING.



Client: -
Title: **OFFSHORE 42**
GENERAL ARRANGEMENT
OFFSHORE CRUISER

Drawn By:	Erik de Jong	Date:	08 Nov 2013
Checked By:		Scale:	N.T.S.
		Rev:	0
	Approval/Rev	DWG NO:	
Client			
Class			
Flag			

044-001
Sht No: 1 of 1